

ZZ GIRDER CLAMPS

Version with a crosspiece – loading capacity 2t – 5t

Version with an eye – loading capacity 2t – 10t

Use:

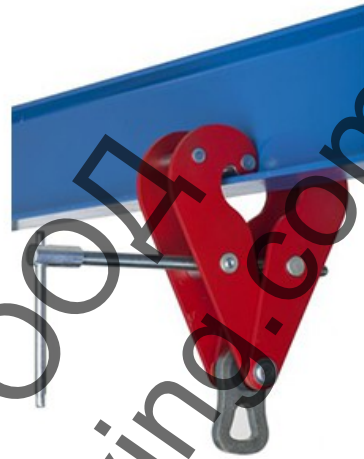
- used as an accessory for manual hoists made by the BRANO company, possibly also hoists of other brands
- serves for simple and rapid suspension of manual hoists on beams or posts I (I, IPE, HEB, HEA) or T profile.
- suitable as portable tool during installation, repair or other work.

Properties:

- simple and rapid installation to a structure
- minimum maintenance demands

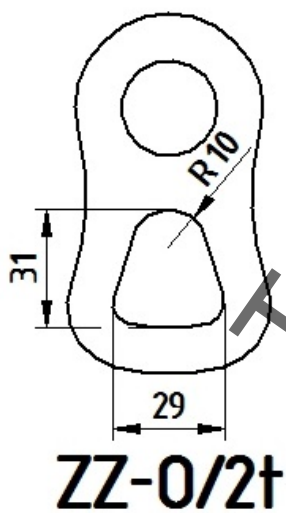
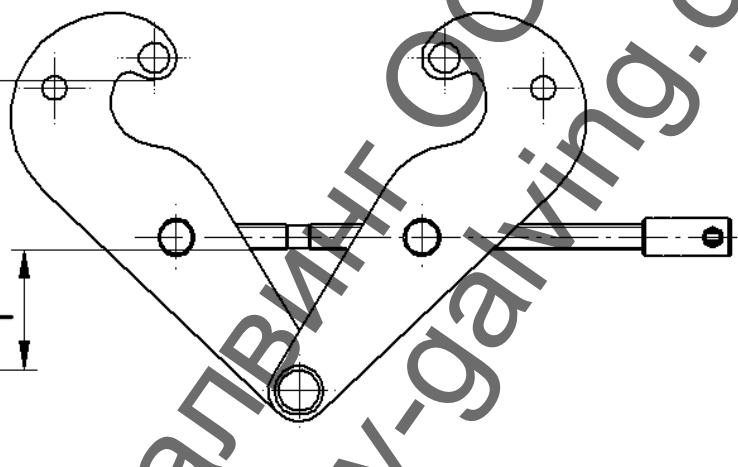
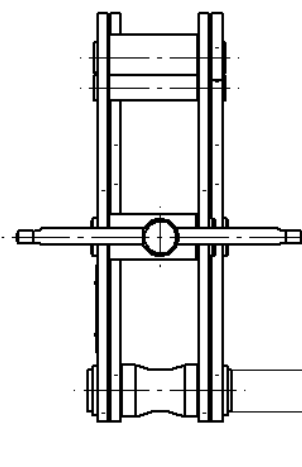
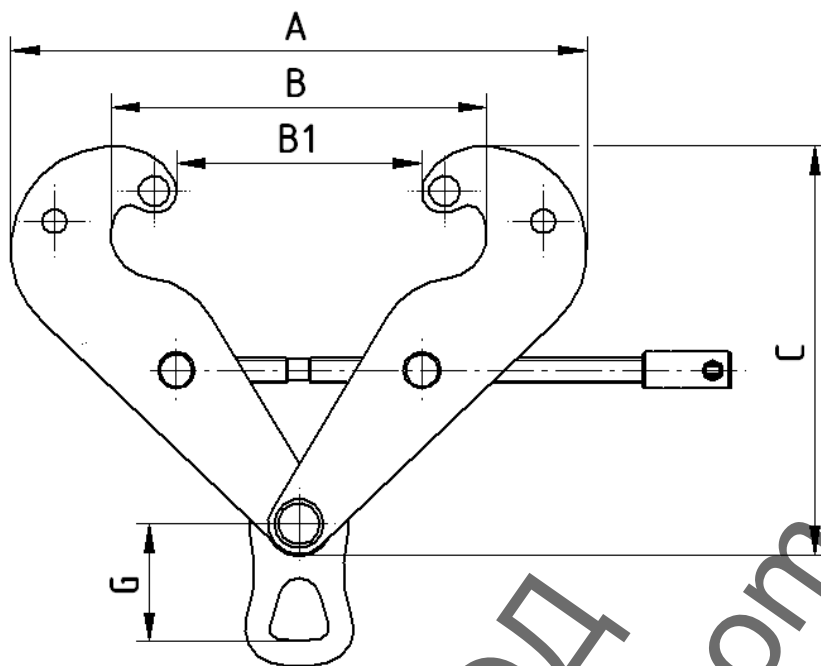
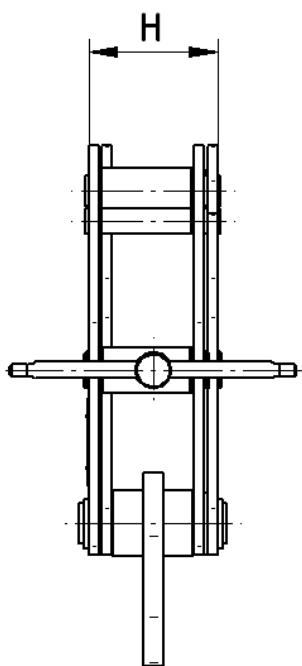
The version with a cross-beam is made to a loading capacity of 2t, 3.2t and 5t.

The version with an eye is made to a loading capacity of 2t, 3.2t, 5t and 10t.

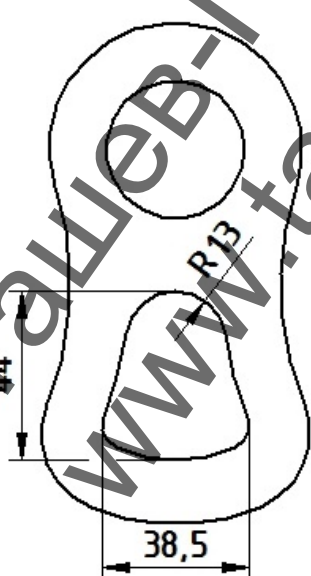


| Type | Lifting capacity (t) | Main dimensions (mm) | | | | | | | | | Weight (kg) | |
|------|----------------------|----------------------|--------|---------|--------|----|-------------|--------|------|--------|----------------------|-----------------|
| | | A max. | B max. | B1 max. | C max. | D | E min. max. | F min. | G | H max. | with cross beam (ZZ) | with eye (ZZ-o) |
| ZZ | 2 | 360 | 270 | 220 | 220 | 20 | 108/155 | 35 | 57,5 | 61 | 2,9 | 3,1 |
| | 3,2 | 415 | 300 | 235 | 285 | 34 | 145/190 | 55 | 81 | 85 | 6,5 | 7 |
| | 5 | 415 | 300 | 235 | 285 | 38 | 142/187 | 52 | 88 | 93 | 8,4 | 9 |
| | 10 | 415 | 300 | 235 | 285 | — | — | — | 120 | 109 | — | 15,5 |

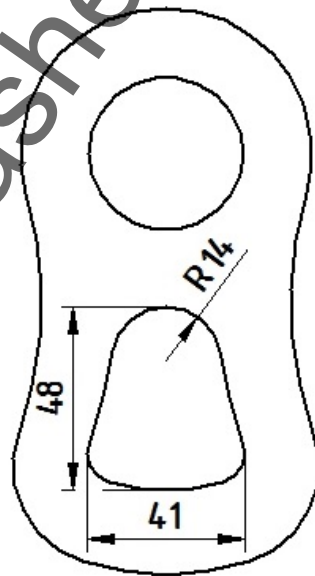
B – width of I girder flange



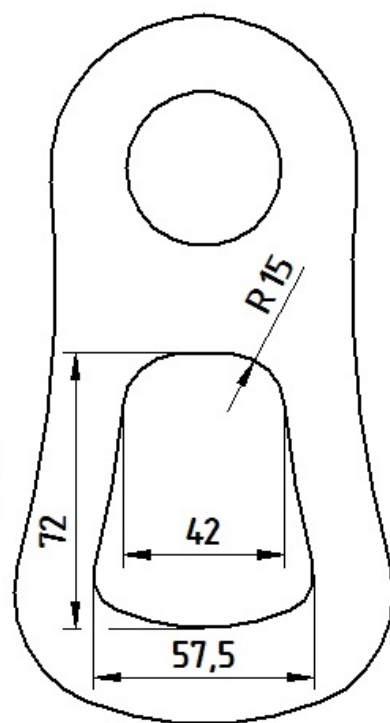
ZZ-0/2t



ZZ-0/3,2t



ZZ-0/5t



ZZ-0/10t

WWW.GALTSHEV-GALVINI-GOOD.COM

DOWNLOADABLE FILES

Operation manual – ZZ – [cz](#) [sk](#) [en](#) [de](#) [pl](#) [rus](#)

[EC Declaration of conformity – ZZ](#)

Tel.: +420 553 632 303

E-mail: zz-info@brano.eu

[Go to page Contact](#)

© 2021 Brano a.s.

[Mapa stránek](#)

Ташев-Галвинг ООД
www.tashev-galving.com